



H3C-•

- Three digits display counter
- Protection against power surge and high frequency interference
- Operating Mode-UP count or Down count(Y) option by user
- Counting speed: 250 cps or 60 cps
- Power off reset or contact(1+3)reset
- (1+3)Gate Function available
- DC 12V supplied for proximity switch or photoelectric switch(option by user)



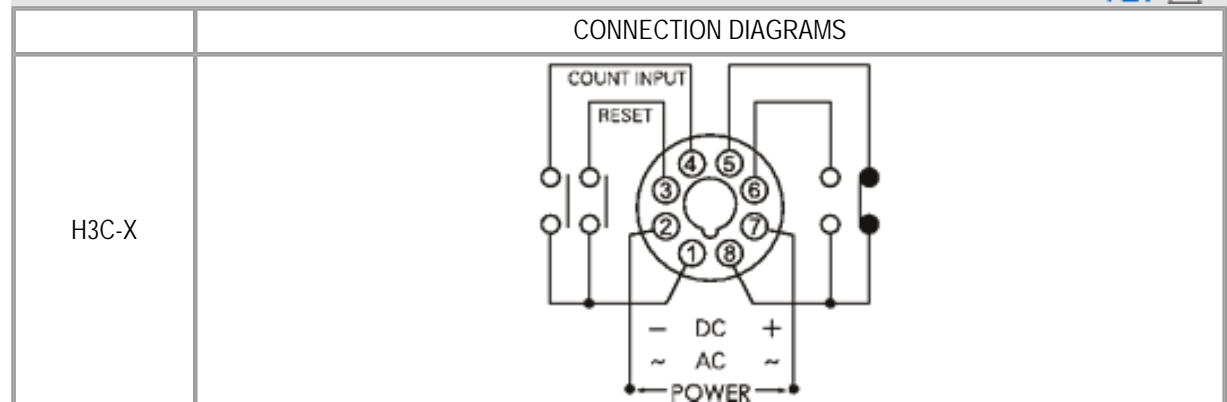
+ SPECIFICATIONS

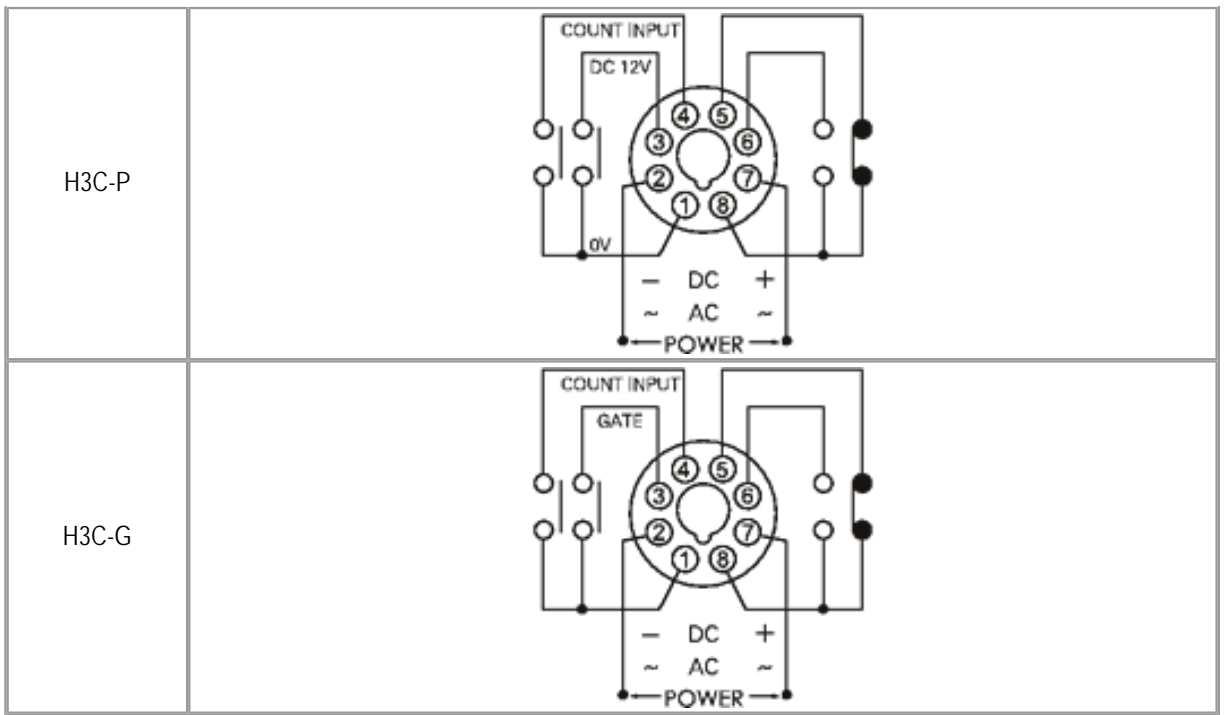
TOP ▲

MODEL		H3C-•		
DIMENSIONS		48H x 48W x 84D	48H x 59W x 84D	
MOUNTING & SOCKET	SURFACE(-N)	P2CF-08		
	FLUSH(-Y)		Y-50 & US-08 or Y-50 & P3G-08	
RATED VOLTAGE		DC(V) : 12, 24 AC(V) : 12, 24, 110, 220, 240,380,415,440, 50/60 Hz		
INDICATOR OPERATING		After contact transfer		
o/p CONTACT	MODEL	H3C-X	H3C-P	H3C-G
	TIME LIMIT 1C	5A	5A	5A
	TIME LIMIT 2C			
	INSTANTANEOUS 1C	1+4 Count input 1+3 Reset	1+4 Count input 1+3 DC 12V	1+4 input 1+3 Gate

+ CONNECTION DIAGRAMS & TIMING CHARTS

TOP ▲





+ DIMENSION

TOP ▲

