



CV3C-N•CV3C-Y•

- Three digits display twin counter
- Protection against power surge and high frequency interference
- Operating Mode-UP count or Down count(Y) option by user
- Counting speed: 250 cps or 60 cps
- Power off reset or contact(1+3)reset
- DC 12V supplied for proximity switch or photoelectric switch(option by user)



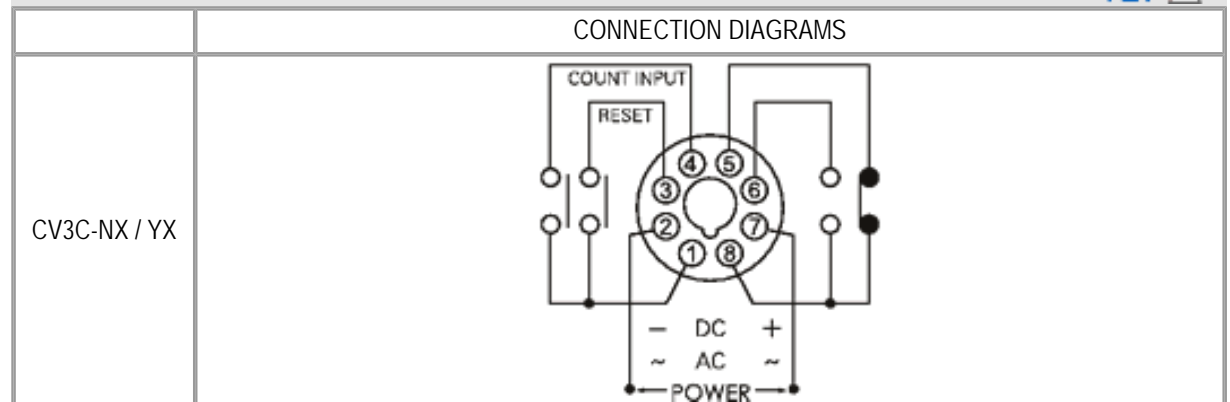
+ SPECIFICATIONS

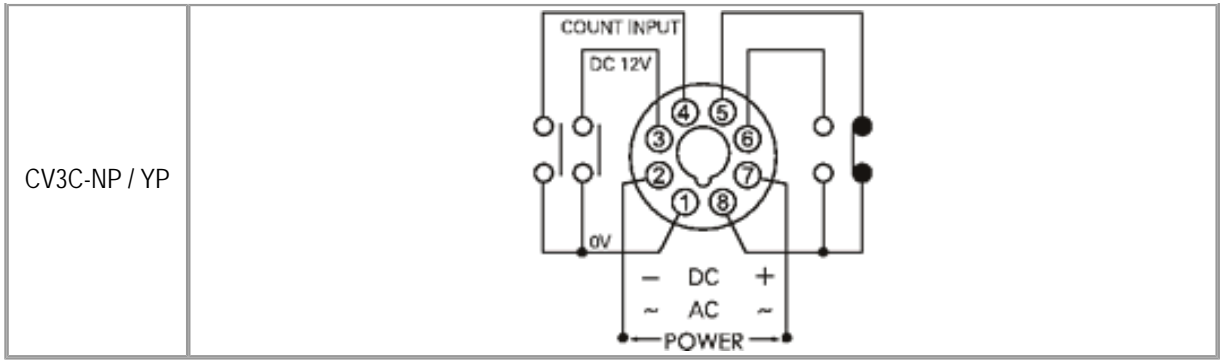
TOP ▲

MODEL		CV3C-N•	CV3C-Y•
DIMENSIONS		60H x 48W x 75D	88H x 58W x 75D
MOUNTING & SOCKET	SURFACE(-N)	8PFA	
	FLUSH(-Y)		P3G-08 & US-08
RATED VOLTAGE		DC(V) : 12, 24, 48 AC(V) : 12, 24, 48, 110, 220, 240, 380, 415, 440, 50/60 Hz	
INDICATOR OPERATING		After contact transfer	
o/p CONTACT	MODEL	CV3C-NX / YX	CV3C-NP / YP
	TIME LIMIT 1C	5A	5A
	TIME LIMIT 2C		
	INSTANTANEOUS 1C	1+4 Count input 1+3 Reset	1+4 Count input 1+3 DC 12V

+ CONNECTION DIAGRAMS & TIMING CHARTS

TOP ▲





+ DIMENSION

TOP ▲

