



AFL-1•

- Ideal for control of any conductive liquid levels
- AC operation
- Fully surge protected
- Low voltage(AC) electrodes
- Two LED provide status indication for water supply or drainage



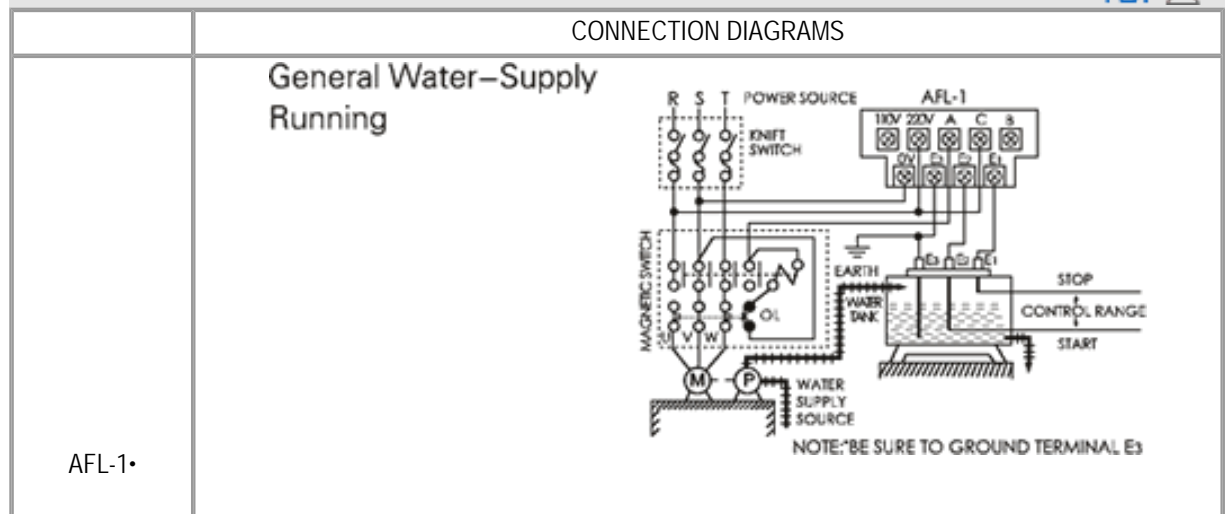
+ SPECIFICATIONS

TOP ▲

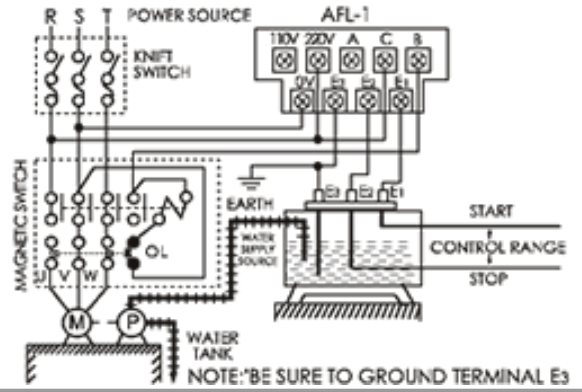
| | | |
|----------------------|--|--------|
| Model | AFL-1• | |
| Appearance | 114H x 84W x 69.5D | |
| Socket Type | -- | |
| Sensing Mode | General | AFL-1 |
| | High Sensing | AFL-1H |
| | Long Distance | AFL-1L |
| | Low Density | AFL-1D |
| | Two Line | -- |
| Rated Voltage | AC:110V/220V, 110V/240V, 220V/380V, 240V/415V, 50/60Hz | |
| Indicator Operating | 85~110% of rated voltage | |
| Second Voltage | 8VAC(except HIGH SENSING 24VAC) | |
| Operating Resistance | 4K Ω min.(GENERAL) | |
| Release Resistance | 15K Ω min.(GENERAL) | |
| Response Time | Operator : 80 msec max,Release: 160 msec max | |
| Contact Rating | 5A, 250VAC(resistive load) | |
| Length of Cable | 1 Km max.(GENERAL) | |

+ CONNECTION DIAGRAMS

TOP ▲



General Drainage Running



+ DIMENSION

TOP ▲

AFL-1•

