



AFL-2•

- Ideal for control of any conductive liquid levels
- AC operation
- Fully surge protected
- Low voltage(AC) electrodes



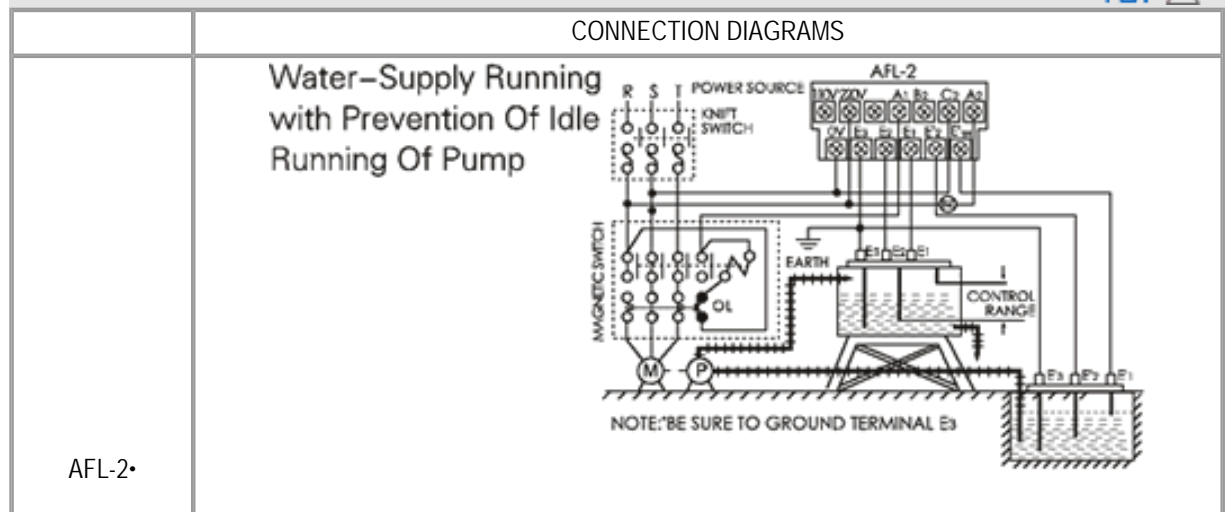
+ SPECIFICATIONS

TOP ▲

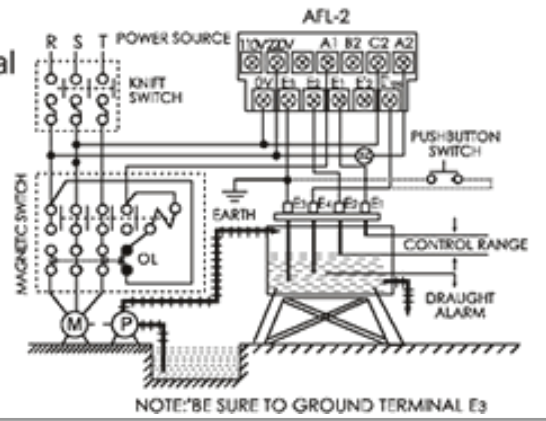
Model	AFL-2•	
Appearance	114H x 135W x 69.5D	
Socket Type	--	
Sensing Mode	General	AFL-2
	High Sensing	AFL-2H
	Long Distance	AFL-2L
	Low Density	AFL-2D
	Two Line	--
Rated Voltage	AC:110V/220V, 110V/240V, 220V/380V, 240V/415V, 50/60Hz	
Indicator Operating	85~110% of rated voltage	
Second Voltage	8VAC(except HIGH SENSING 24VAC)	
Operating Resistance	4K Ω min.(GENERAL)	
Release Resistance	15K Ω min.(GENERAL)	
Response Time	Operator : 80 msec max,Release: 160 msec max	
Contact Rating	5A, 250VAC(resistive load)	
Length of Cable	1 Km max.(GENERAL)	

+ CONNECTION DIAGRAMS

TOP ▲



Water-Supply Running with Alarm For Abnormal Death Of Water



+ DIMENSION

TOP ▲

AFL-2•

