



AFR-G

- Ideal for control of any conductive liquid levels
- AC operation
- Fully surge protected
- Low voltage(AC) electrodes
- Two LED provide status indication for water supply or drainage



+ SPECIFICATIONS

TOP ▲

Model		AFR-G•
Appearance		50H x 40W x 57.5D
Socket Type		PF113A
Sensing Mode	General	AFR-G
	High Sensing	AFR-GH
	Long Distance	AFR-GL
	Low Density	AFR-GD
	Two Line	--
Rated Voltage		AC:110, 220, 240, 380, 415, 440, 50/60Hz
Indicator Operating		85~110% of rated voltage
Second Voltage		8VAC(except HIGH SENSING 24VAC)
Operating Resistance		4K Ω min.(GENERAL)
Release Resistance		15K Ω min.(GENERAL)
Response Time		Operator : 80 msec max,Release: 160 msec max
Contact Rating		5A, 250VAC(resistive load)
Length of Cable		1 Km max.(GENERAL)

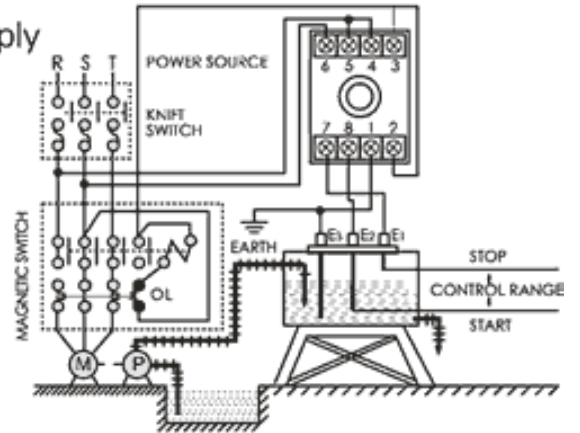
+ CONNECTION DIAGRAMS

TOP ▲

CONNECTION DIAGRAMS	
AFR-G	

General Water-Supply
Running

General Drainage
Running
(Connect pin 3 to
Power Source)



Note : C61F-GR Two lines, Ei-Ez with 10kΩ

+ DIMENSION

TOP

