



C61F-G1•,G2•

- Ideal for control of any conductive liquid levels
- AC operation
- Fully surge protected
- Low voltage(AC) electrodes



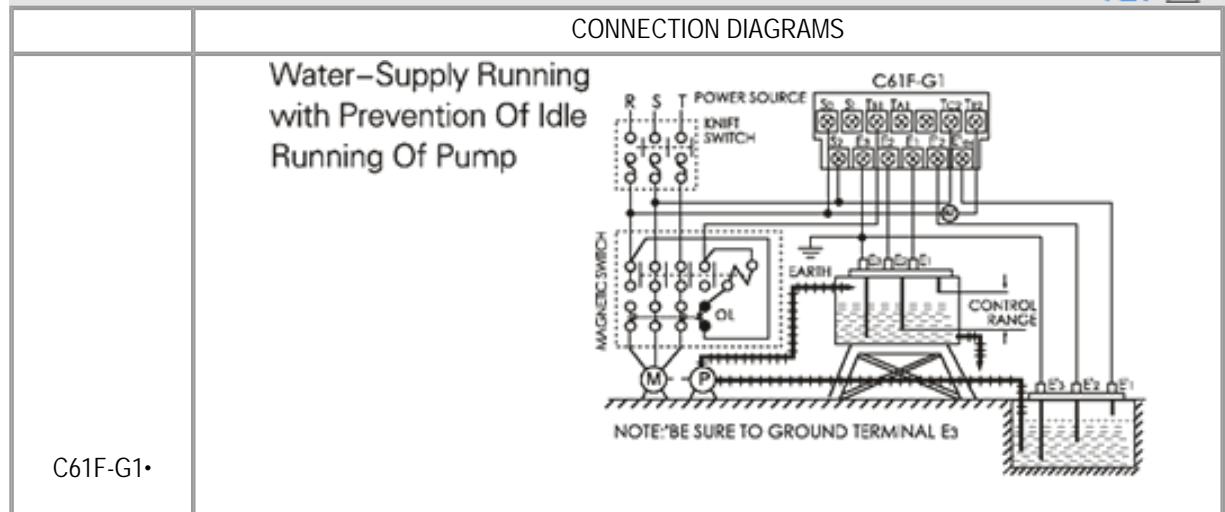
+ SPECIFICATIONS

TOP ▲

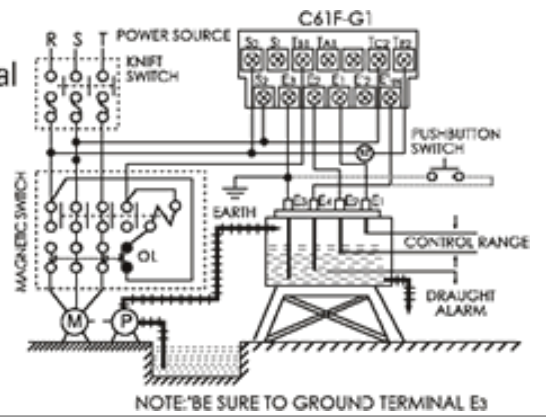
Model		C61F-G1•,G2•	
Appearance		114H x 135W x 69.5D	
Socket Type		--	
Sensing Mode	General	C61F-G1	C61F-G2
	High Sensing	C61F-G1H	C61F-G2H
	Long Distance	C61F-G1L	C61F-G2L
	Low Density	C61F-G1D	C61F-G2D
	Two Line	--	
Rated Voltage		AC:110V/220V, 110V/240V, 220V/380V, 240V/415V, 50/60Hz	
Indicator Operating		85~110% of rated voltage	
Second Voltage		8VAC(except HIGH SENSING 24VAC)	
Operating Resistance		4K Ω min.(GENERAL)	
Release Resistance		15K Ω min.(GENERAL)	
Response Time		Operator : 80 msec max,Release: 160 msec max	
Contact Rating		5A, 250VAC(resistive load)	
Length of Cable		1 Km max.(GENERAL)	

+ CONNECTION DIAGRAMS

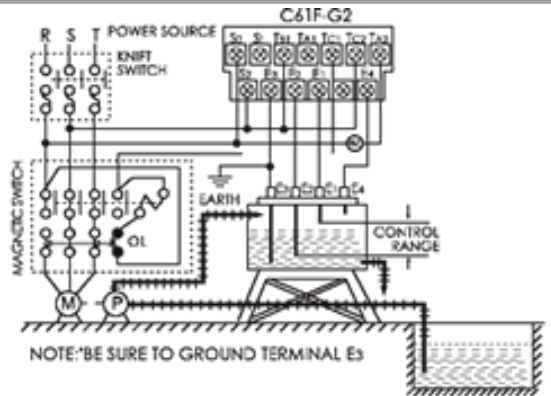
TOP ▲



Water-Supply Running
with Alarm For Abnormal
Dearth Of Water

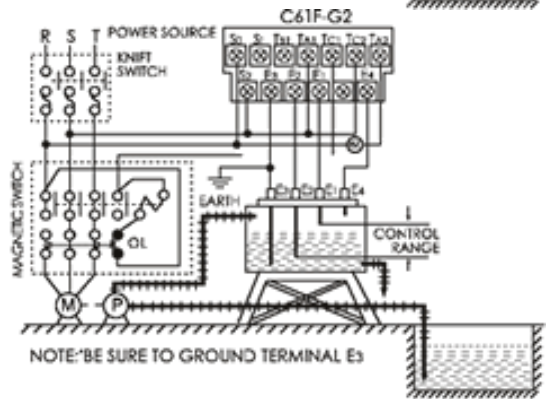


Water-Supply Running
with Alarm



C61F-G2•

Drainage Running
with Alarm



+ DIMENSION

TOP ▲

C61F-G1•,G2•

