



TC1AO-•



+ SPECIFICATIONS

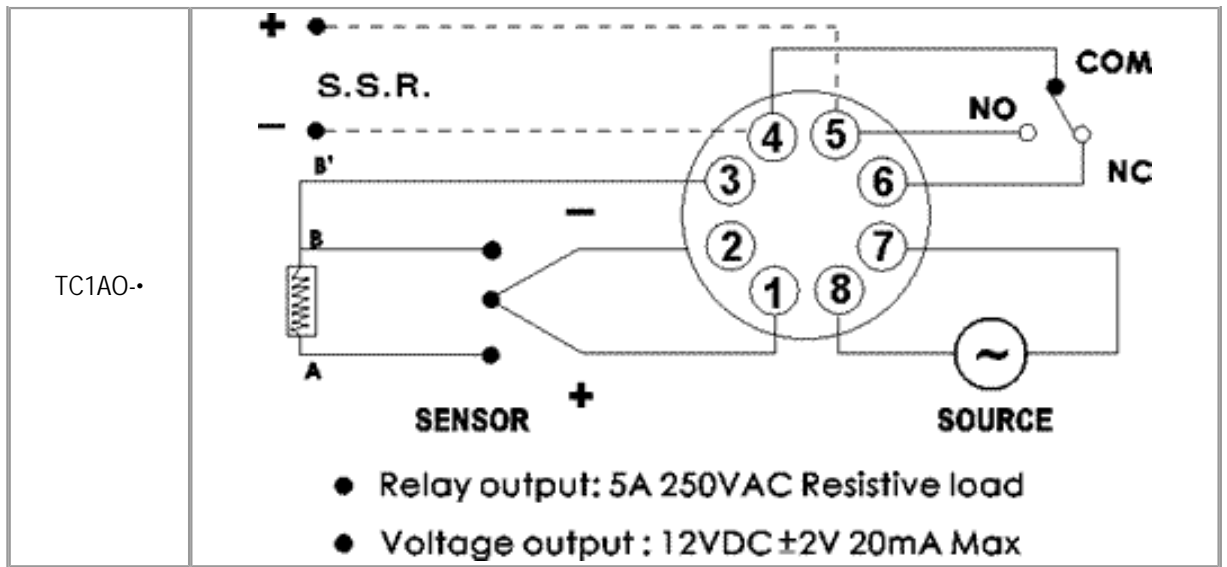
TOP

MODEL	TC1AO-•
APPEARANCE	48H x 48W x 84D
ALARM OUTPUT	--
RATED VOLTAGE	100 ~ 240VAC 50/60 Hz
DISPLAY METHOD	--
INDICATING ACCURACY	--
DISPLAY RANGE	--
SETTING METHOD	Trimmer
SETTING ACCURACY	± 1% of F.S.
SETTING RANGE	-50 ~ +50 0 ~ +100 0 ~ +200 0 ~ +400 0 ~ +600 0 ~ +1200
SENSOR INPUT	K (CA) , J(IC) , PT-100Ω
CONTROL ACTION	Proportional, ON-OFF
CONTROL OUTPUT	Relay, Voltage

+ CONNECTION DIAGRAMS

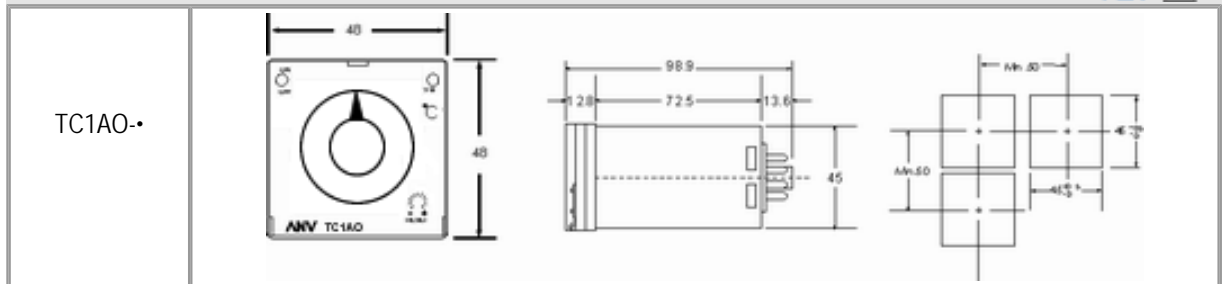
TOP

	CONNECTION DIAGRAMS



+ DIMENSION

TOP





TC1DD-•



+ SPECIFICATIONS

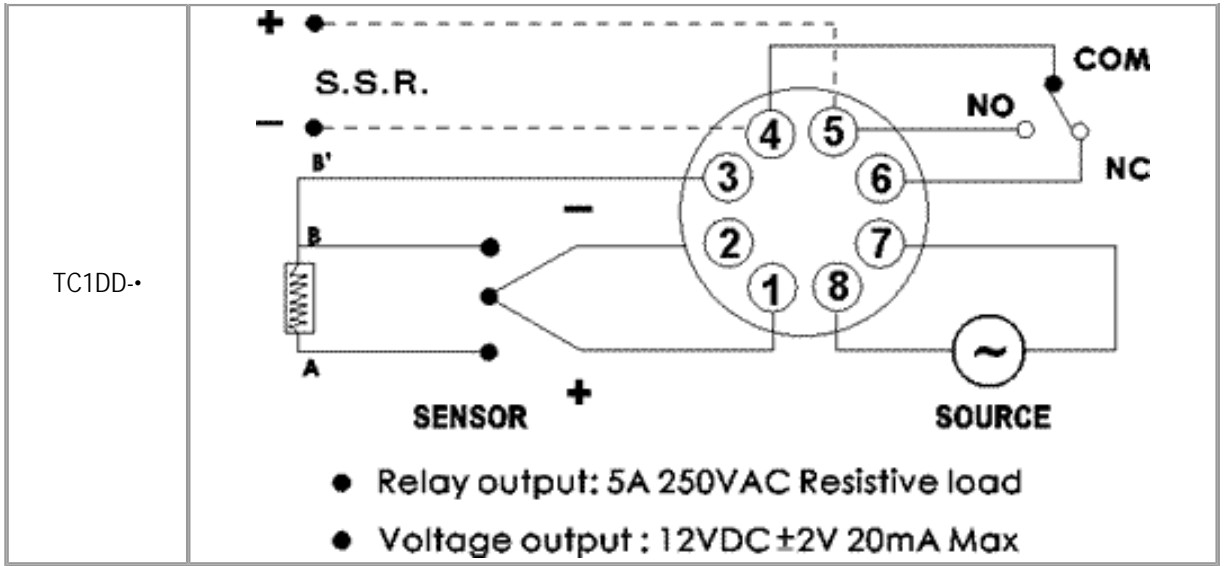
TOP

MODEL	TC1DD-•
APPEARANCE	48H x 48W x 84D
ALARM OUTPUT	--
RATED VOLTAGE	100 ~ 240VAC 50/60 Hz
DISPLAY METHOD	7 Segment LED Display
INDICATING ACCURACY	± 0.5% of F.S.
DISPLAY RANGE	-99 ~ +99 0 ~ +999
SETTING METHOD	Digital
SETTING ACCURACY	± 0.5% of F.S.
SETTING RANGE	-99 ~ +99 0 ~ +199 0 ~ +399 0 ~ +599 0 ~ +999
SENSOR INPUT	K (CA) , J(IC) , PT-100Ω
CONTROL ACTION	Proportional, ON-OFF
CONTROL OUTPUT	Relay, Voltage

+ CONNECTION DIAGRAMS

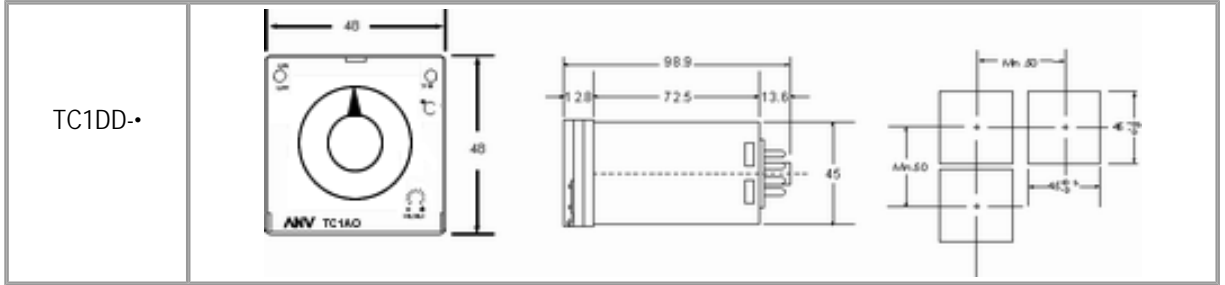
TOP

	CONNECTION DIAGRAMS



+ DIMENSION

TOP ▲





TC1DO-•



+ SPECIFICATIONS

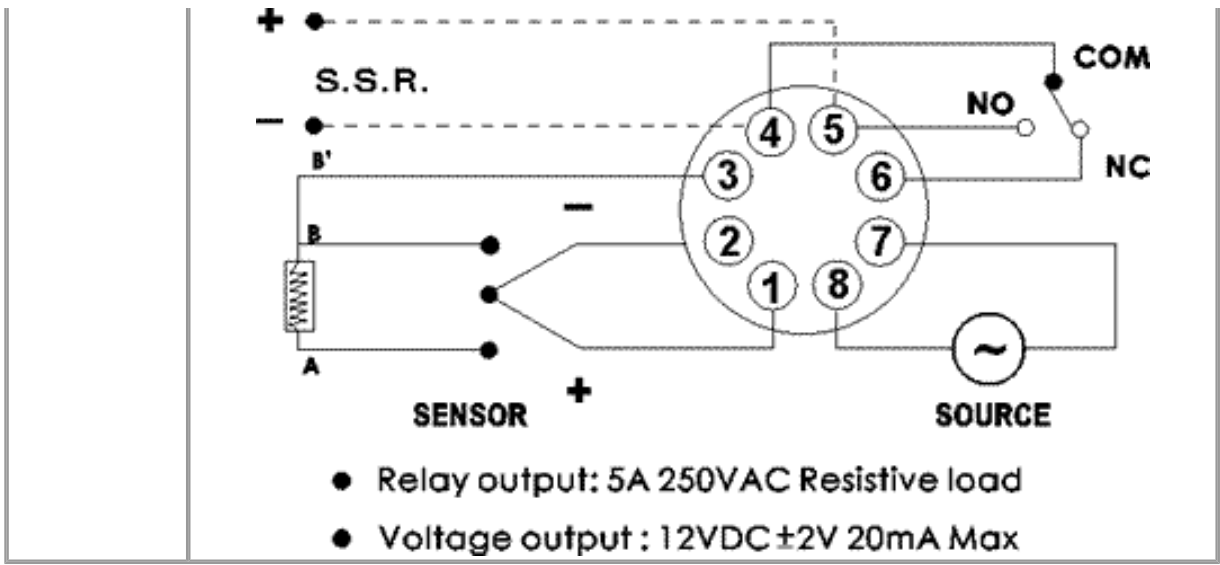
TOP

MODEL	TC1DO-•
APPEARANCE	48H x 48W x 84D
ALARM OUTPUT	--
RATED VOLTAGE	100 ~ 240VAC 50/60 Hz
DISPLAY METHOD	--
INDICATING ACCURACY	--
DISPLAY RANGE	--
SETTING METHOD	Digital
SETTING ACCURACY	± 0.5% of F.S.
SETTING RANGE	-99 ~ +99 0 ~ +199 0 ~ +399 0 ~ +599 0 ~ +999
SENSOR INPUT	K (CA) , J(IC) , PT-100Ω
CONTROL ACTION	Proportional, ON-OFF
CONTROL OUTPUT	Relay, Voltage

+ CONNECTION DIAGRAMS

TOP

	CONNECTION DIAGRAMS
TC1DO-•	



+ DIMENSION		TOP ▲
TC1DO-		



TC10D-•



+ SPECIFICATIONS

TOP ▲

MODEL	TC10D-•
APPEARANCE	48H x 48W x 84D
ALARM OUTPUT	--
RATED VOLTAGE	100 ~ 240VAC 50/60 Hz
DISPLAY METHOD	7 Segment LED Display
INDICATING ACCURACY	± 0.5% of F.S.
DISPLAY RANGE	-99 ~ +99 0 ~ +999
SETTING METHOD	--
SETTING ACCURACY	--
SETTING RANGE	--
SENSOR INPUT	K (CA) , J(IC) , PT-100Ω
CONTROL ACTION	--
CONTROL OUTPUT	--

+ CONNECTION DIAGRAMS

TOP ▲

