



TC4AA-•



+ SPECIFICATIONS

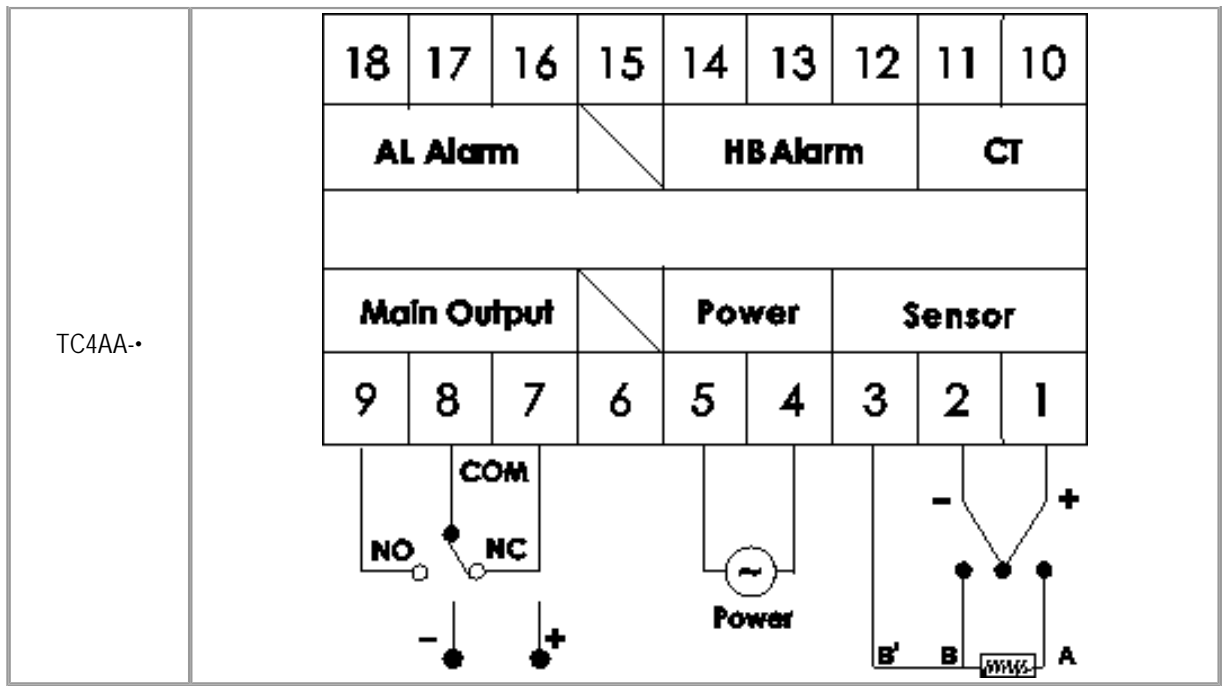
TOP

MODEL	TC4AA-•
APPEARANCE	96H x 96W x 97D
ALARM OUTPUT	--
RATED VOLTAGE	100 ~ 240VAC 50/60 Hz
DISPLAY METHOD	Analog Deviation Meter
INDICATING ACCURACY	± 1% of F.S.
DISPLAY RANGE	± 40
SETTING METHOD	Trimmer
SETTING ACCURACY	± 1% of F.S.
SETTING RANGE	-50 ~ +50 0 ~ +100 0 ~ +200 0 ~ +400 0 ~ +600 0 ~ +1200
SENSOR INPUT	K (CA) , J(IC) , PT-100Ω
CONTROL ACTION	Proportional, ON-OFF
CONTROL OUTPUT	Relay, Voltage

+ CONNECTION DIAGRAMS

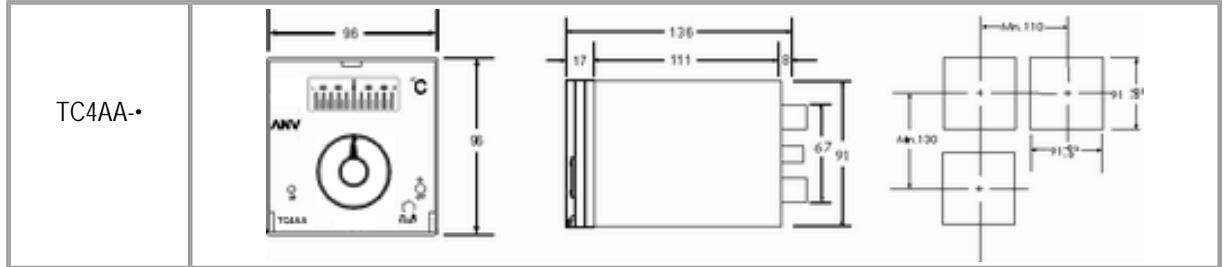
TOP

	CONNECTION DIAGRAMS



+ DIMENSION

TOP





TC4AA-•A



+ SPECIFICATIONS

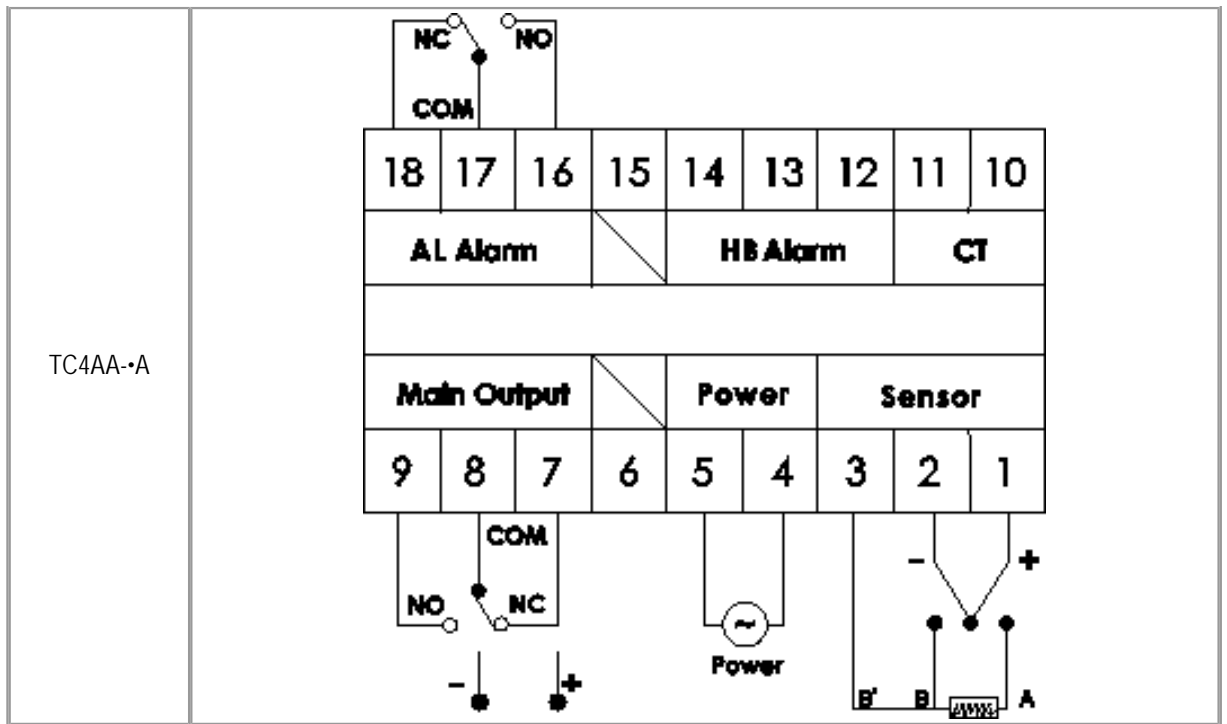
TOP

MODEL	TC4AA-•A
APPEARANCE	96H x 96W x 97D
ALARM OUTPUT	AL Alarm
RATED VOLTAGE	100 ~ 240VAC 50/60 Hz
DISPLAY METHOD	Analog Deviation Meter
INDICATING ACCURACY	± 1% of F.S.
DISPLAY RANGE	± 40
SETTING METHOD	Trimmer
SETTING ACCURACY	± 1% of F.S.
SETTING RANGE	-50 ~ +50 0 ~ +100 0 ~ +200 0 ~ +400 0 ~ +600 0 ~ +1200
SENSOR INPUT	K (CA) , J(IC) , PT-100Ω
CONTROL ACTION	Proportional, ON-OFF
CONTROL OUTPUT	Relay, Voltage

+ CONNECTION DIAGRAMS

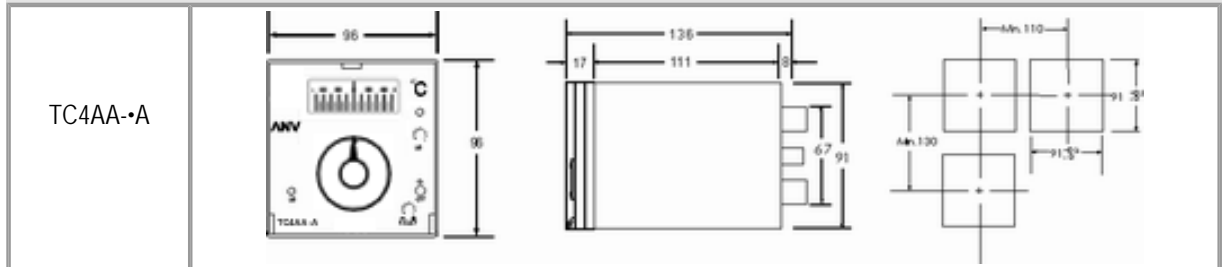
TOP

	CONNECTION DIAGRAMS



+ DIMENSION

TOP





TC4AA-H



+ SPECIFICATIONS

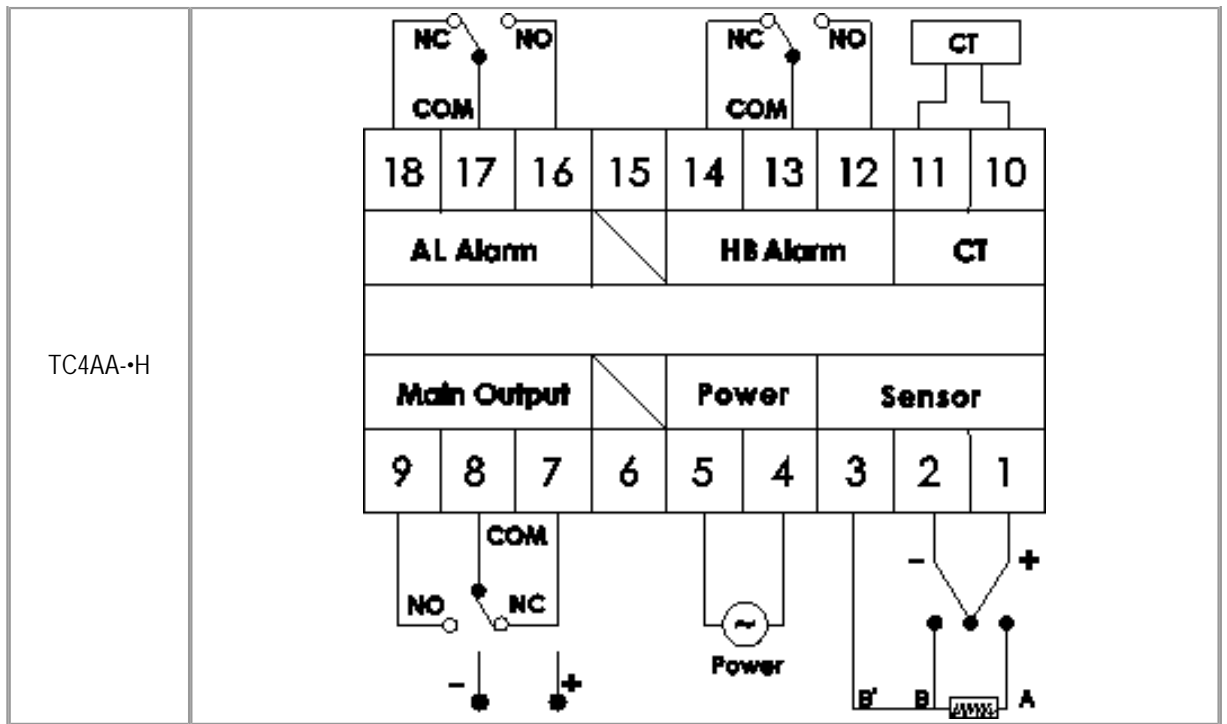
TOP

MODEL	TC4AA-H
APPEARANCE	96H x 96W x 97D
ALARM OUTPUT	AL + HB Alarm
RATED VOLTAGE	100 ~ 240VAC 50/60 Hz
DISPLAY METHOD	Analog Deviation Meter
INDICATING ACCURACY	± 1% of F.S.
DISPLAY RANGE	± 40
SETTING METHOD	Trimmer
SETTING ACCURACY	± 1% of F.S.
SETTING RANGE	-50 ~ +50 0 ~ +100 0 ~ +200 0 ~ +400 0 ~ +600 0 ~ +1200
SENSOR INPUT	K (CA) , J(IC) , PT-100Ω
CONTROL ACTION	Proportional, ON-OFF
CONTROL OUTPUT	Relay, Voltage

+ CONNECTION DIAGRAMS

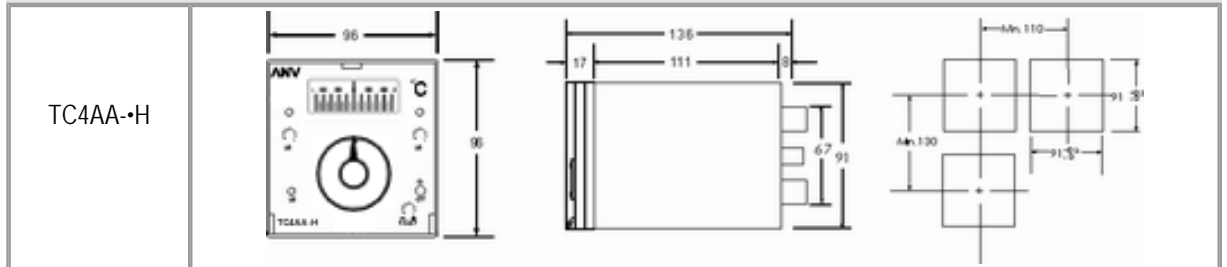
TOP

	CONNECTION DIAGRAMS



+ DIMENSION

TOP





TC4AD-•



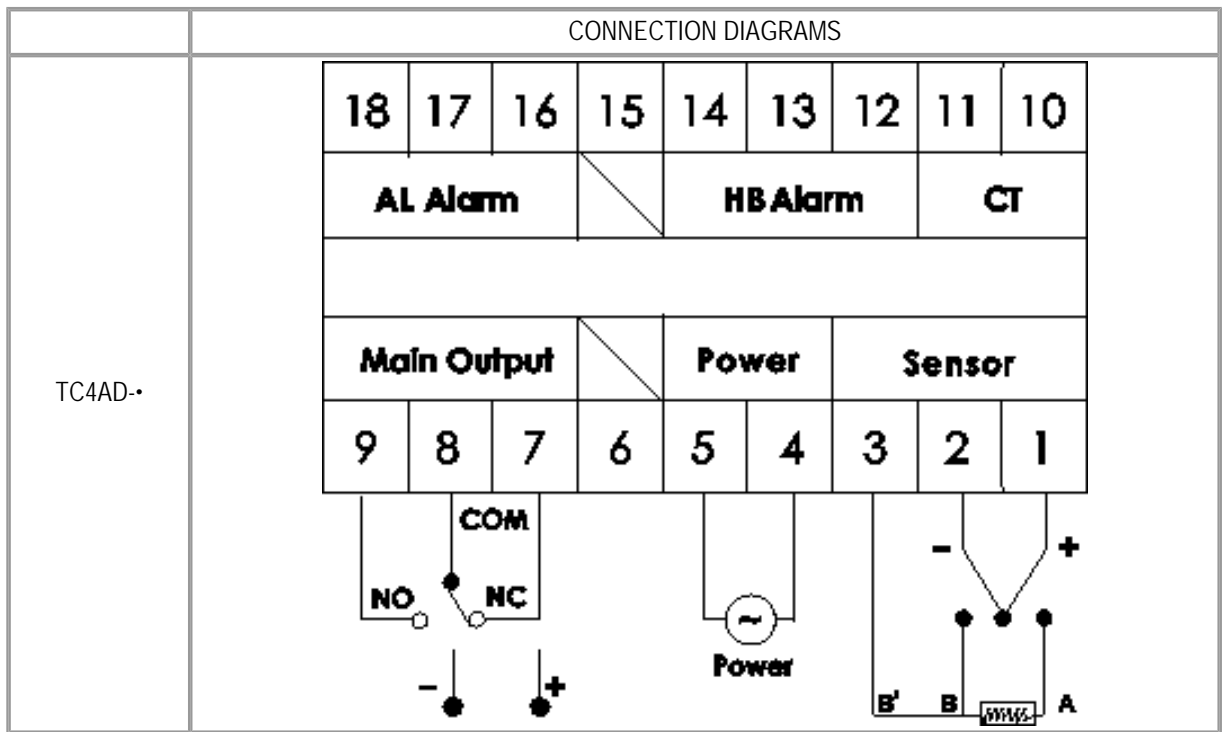
+ SPECIFICATIONS

TOP

MODEL	TC4AD-•
APPEARANCE	96H x 96W x 97D
ALARM OUTPUT	--
RATED VOLTAGE	100 ~ 240VAC 50/60 Hz
DISPLAY METHOD	7 Segment LED Display
INDICATING ACCURACY	± 0.5% of F.S.
DISPLAY RANGE	-99 ~ +99 0 ~ +999 0 ~ +1999
SETTING METHOD	Trimmer
SETTING ACCURACY	±1% of F.S.
SETTING RANGE	-50 ~ +50 0 ~ +100 0 ~ +200 0 ~ +400 0 ~ +600 0 ~ +1200
SENSOR INPUT	K (CA) , J(IC) , PT-100Ω
CONTROL ACTION	Proportional, ON-OFF
CONTROL OUTPUT	Relay, Voltage

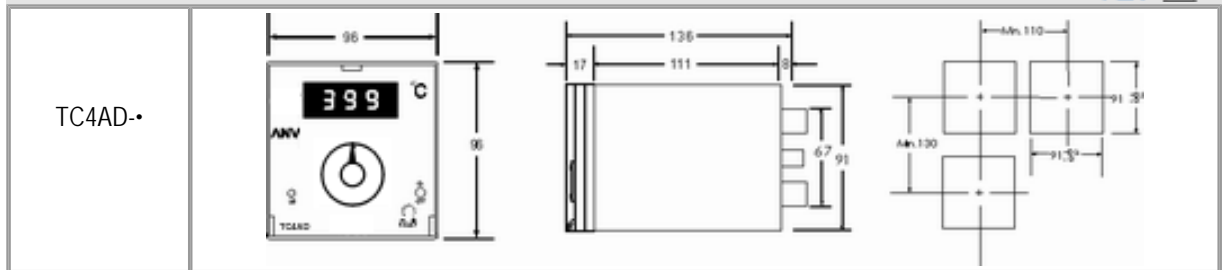
+ CONNECTION DIAGRAMS

TOP



+ DIMENSION

TOP





TC4AD-A



+ SPECIFICATIONS

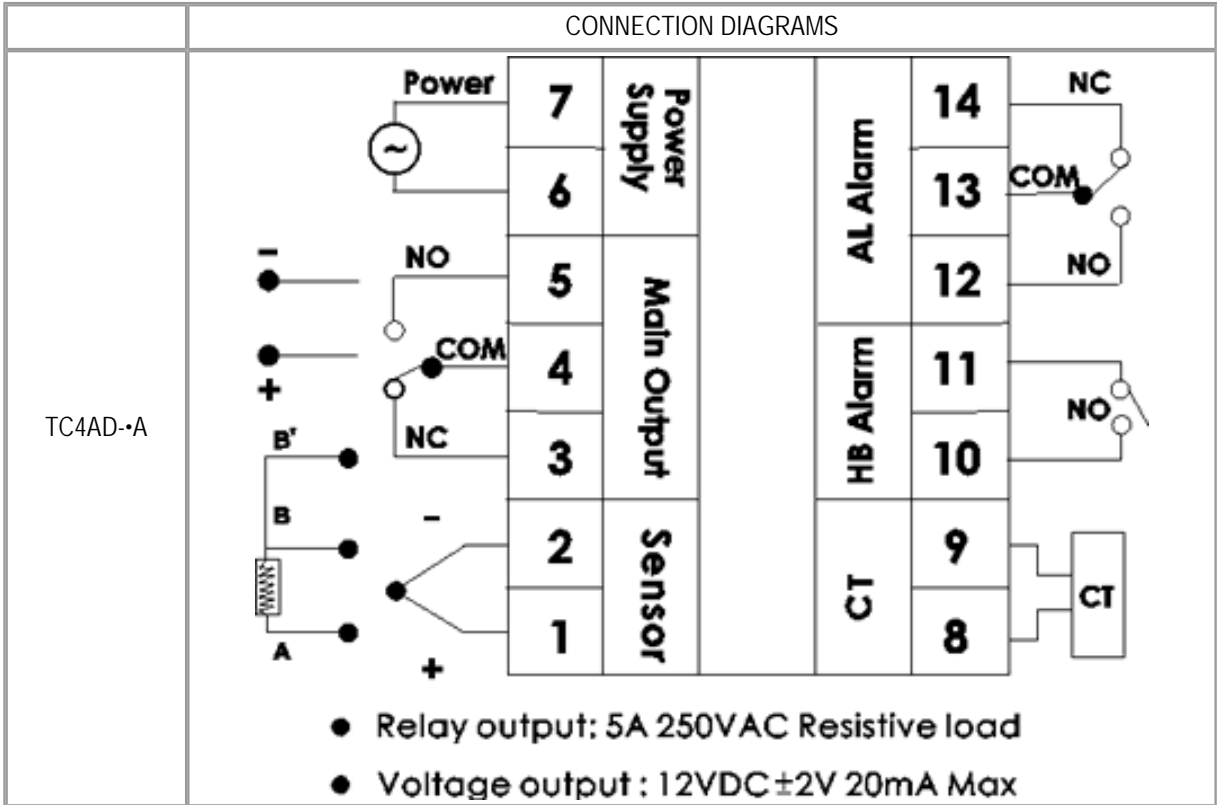
TOP

MODEL	TC4AD-A
APPEARANCE	96H x 96W x 97D
ALARM OUTPUT	AL Alarm
RATED VOLTAGE	100 ~ 240VAC 50/60 Hz
DISPLAY METHOD	7 Segment LED Display
INDICATING ACCURACY	± 0.5% of F.S.
DISPLAY RANGE	-99 ~ +99 0 ~ +999 0 ~ +1999
SETTING METHOD	Trimmer
SETTING ACCURACY	±1% of F.S.
SETTING RANGE	-50 ~ +50 0 ~ +100 0 ~ +200 0 ~ +400 0 ~ +600 0 ~ +1200
SENSOR INPUT	K (CA) , J(IC) , PT-100Ω
CONTROL ACTION	Proportional, ON-OFF
CONTROL OUTPUT	Relay, Voltage

+ CONNECTION DIAGRAMS

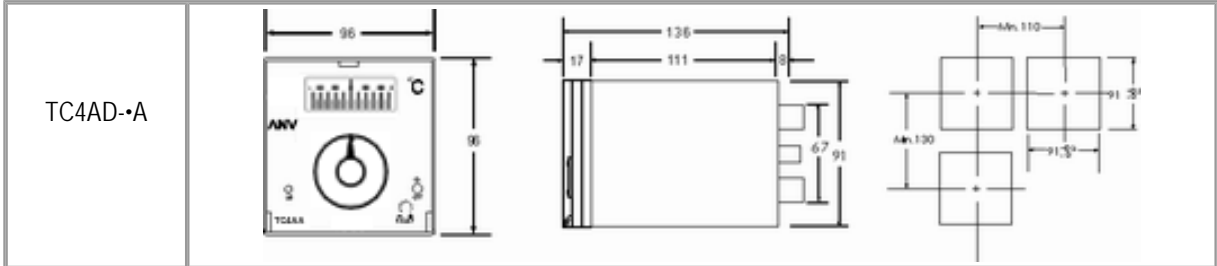
TOP

CONNECTION DIAGRAMS



+ DIMENSION

TOP ▲





TC4AD-H



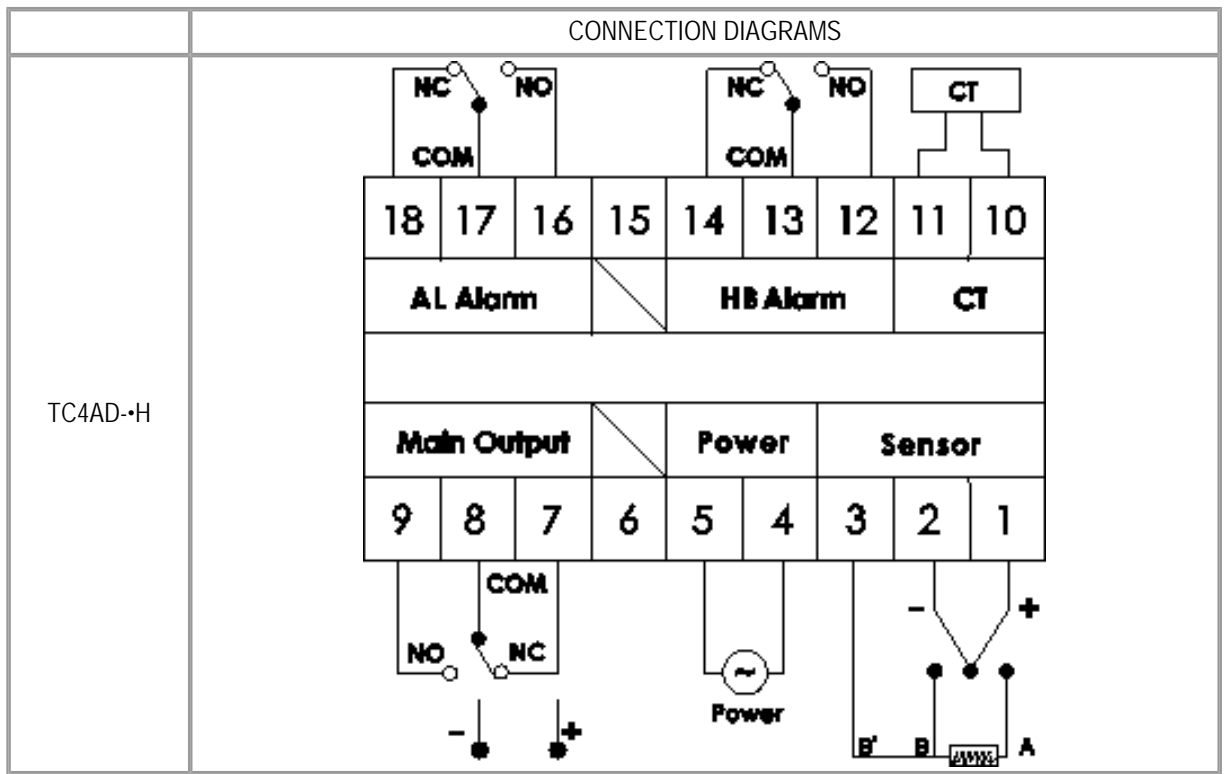
+ SPECIFICATIONS

TOP

MODEL	TC4AD-H
APPEARANCE	96H x 96W x 97D
ALARM OUTPUT	AL + HB Alarm
RATED VOLTAGE	100 ~ 240VAC 50/60 Hz
DISPLAY METHOD	7 Segment LED Display
INDICATING ACCURACY	± 0.5% of F.S.
DISPLAY RANGE	-99 ~ +99 0 ~ +999 0 ~ +1999
SETTING METHOD	Trimmer
SETTING ACCURACY	±1% of F.S.
SETTING RANGE	-50 ~ +50 0 ~ +100 0 ~ +200 0 ~ +400 0 ~ +600 0 ~ +1200
SENSOR INPUT	K (CA) , J(IC) , PT-100Ω
CONTROL ACTION	Proportional, ON-OFF
CONTROL OUTPUT	Relay, Voltage

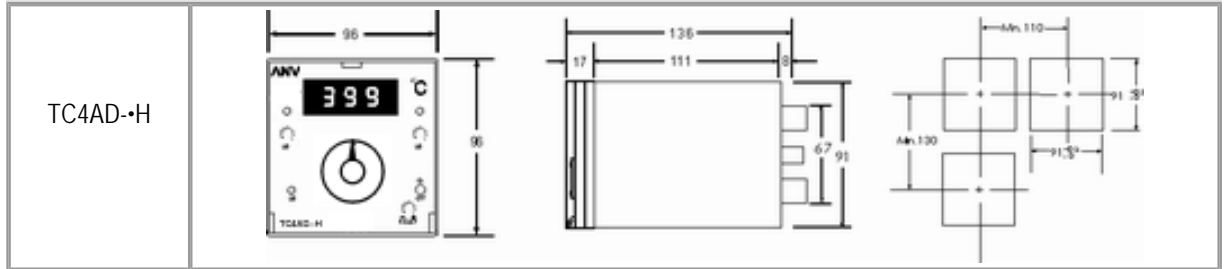
+ CONNECTION DIAGRAMS

TOP



+ DIMENSION

TOP ▲





TC4AO-•



+ SPECIFICATIONS

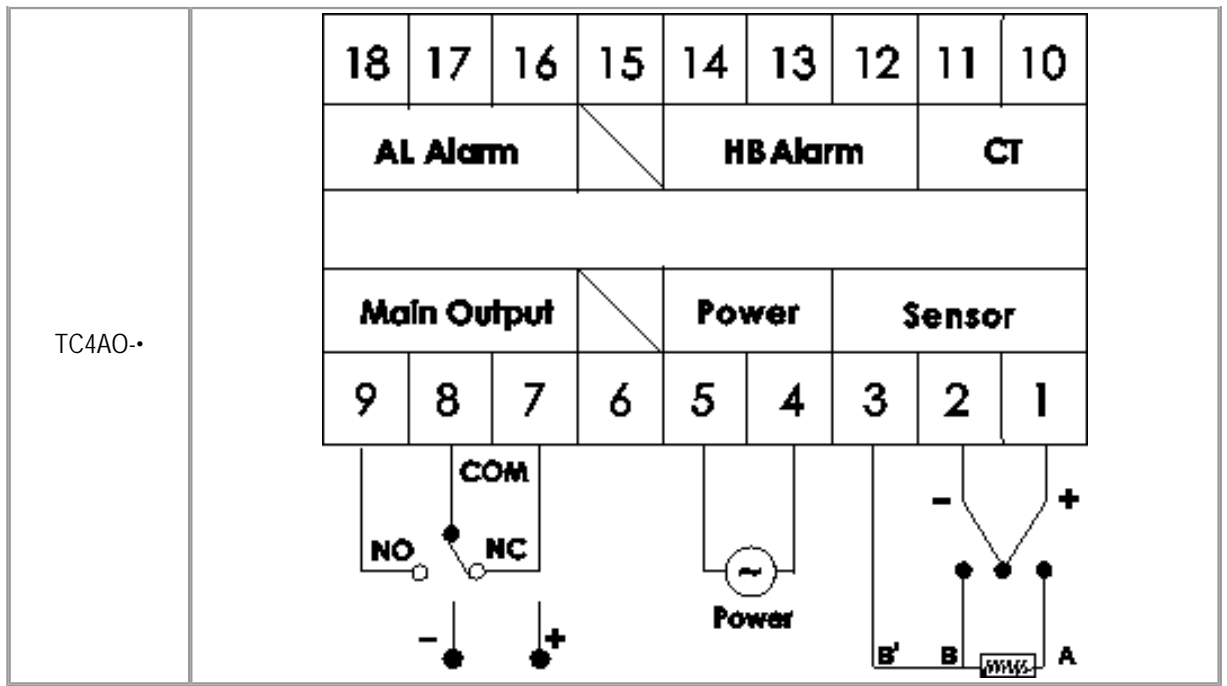
TOP

MODEL	TC4AO-•
APPEARANCE	96H x 96W x 97D
ALARM OUTPUT	--
RATED VOLTAGE	100 ~ 240VAC 50/60 Hz
DISPLAY METHOD	--
INDICATING ACCURACY	--
DISPLAY RANGE	--
SETTING METHOD	Trimmer
SETTING ACCURACY	±1% of F.S.
SETTING RANGE	-50 ~ +50 0 ~ +100 0 ~ +200 0 ~ +400 0 ~ +600 0 ~ +1200
SENSOR INPUT	K (CA) , J(IC) , PT-100Ω
CONTROL ACTION	Proportional, ON-OFF
CONTROL OUTPUT	Relay, Voltage

+ CONNECTION DIAGRAMS

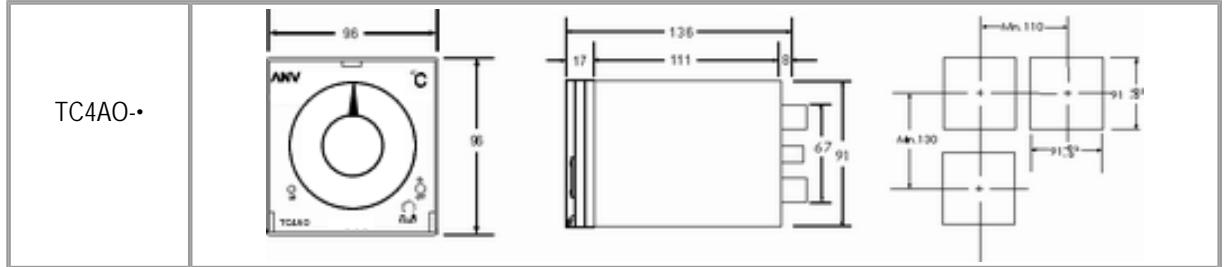
TOP

	CONNECTION DIAGRAMS



+ DIMENSION

TOP





TC4DA-•



+ SPECIFICATIONS

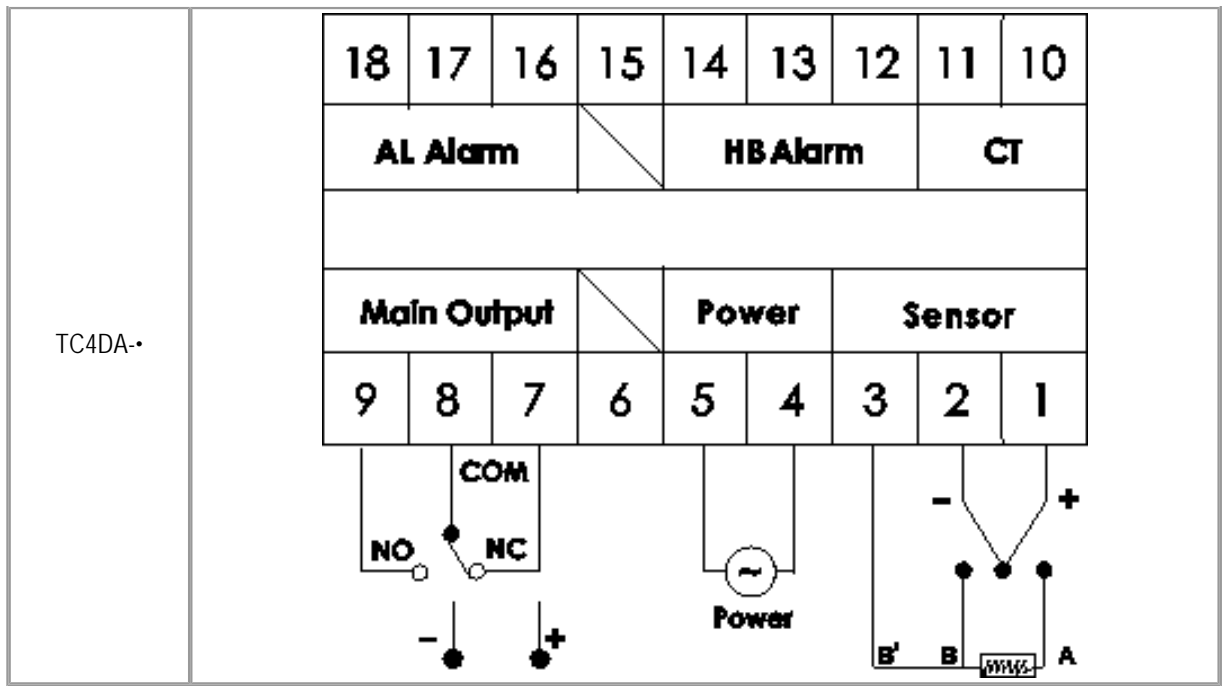
TOP

MODEL	TC4DA-•
APPEARANCE	96H x 96W x 97D
ALARM OUTPUT	--
RATED VOLTAGE	100 ~ 240VAC 50/60 Hz
DISPLAY METHOD	Analog Deviation Meter
INDICATING ACCURACY	± 1% of F.S.
DISPLAY RANGE	± 40
SETTING METHOD	Digital
SETTING ACCURACY	± 0.5% of F.S.
SETTING RANGE	-99 ~ +99 0 ~ +199 0 ~ +399 0 ~ +599 0 ~ +999 0 ~ +1199
SENSOR INPUT	K (CA) , J(IC) , PT-100Ω
CONTROL ACTION	Proportional, ON-OFF
CONTROL OUTPUT	Relay, Voltage

+ CONNECTION DIAGRAMS

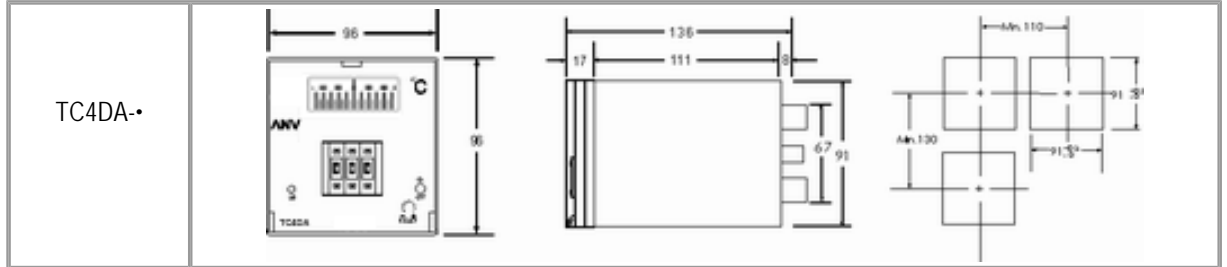
TOP

	CONNECTION DIAGRAMS



+ DIMENSION

TOP





TC4DA-A



+ SPECIFICATIONS

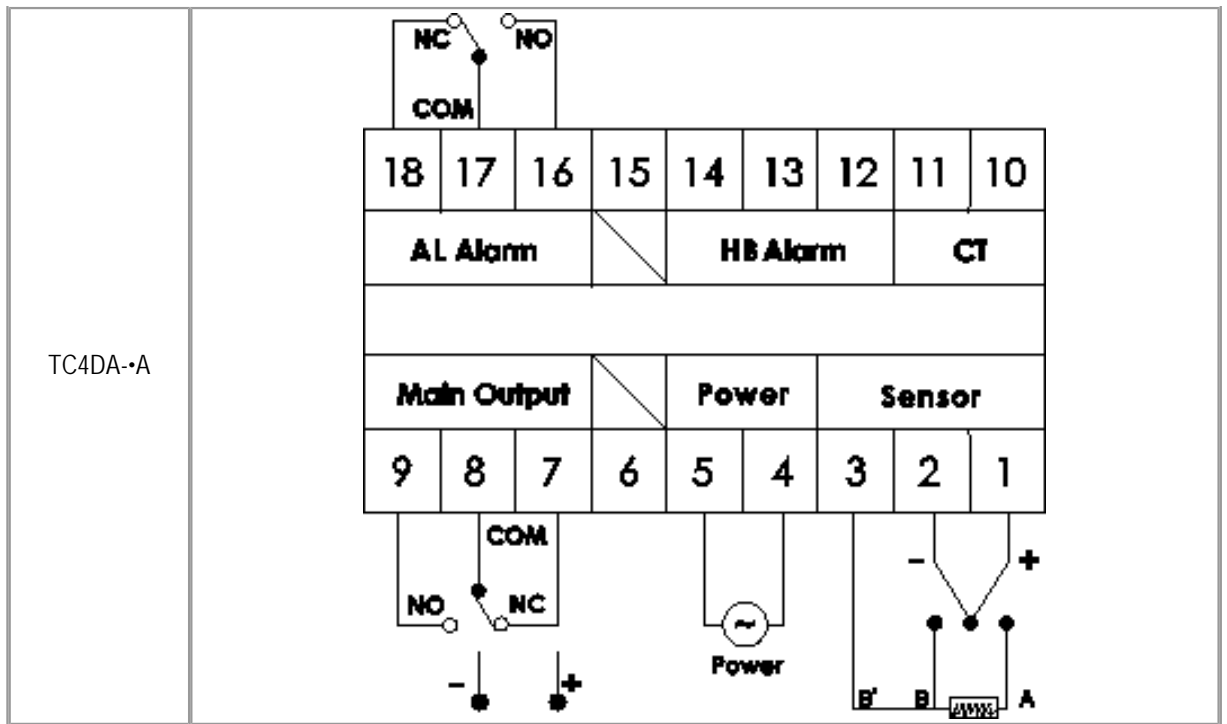
TOP

MODEL	TC4DA-A
APPEARANCE	96H x 96W x 97D
ALARM OUTPUT	AL Alarm
RATED VOLTAGE	100 ~ 240VAC 50/60 Hz
DISPLAY METHOD	Analog Deviation Meter
INDICATING ACCURACY	± 1% of F.S.
DISPLAY RANGE	± 40
SETTING METHOD	Digital
SETTING ACCURACY	± 0.5% of F.S.
SETTING RANGE	-99 ~ +99 0 ~ +199 0 ~ +399 0 ~ +599 0 ~ +999 0 ~ +1199
SENSOR INPUT	K (CA) , J(IC) , PT-100Ω
CONTROL ACTION	Proportional, ON-OFF
CONTROL OUTPUT	Relay, Voltage

+ CONNECTION DIAGRAMS

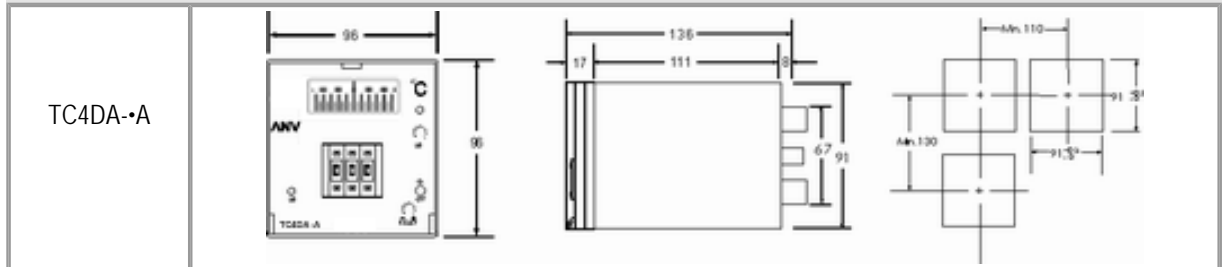
TOP

	CONNECTION DIAGRAMS



+ DIMENSION

TOP





TC4DA-H



+ SPECIFICATIONS

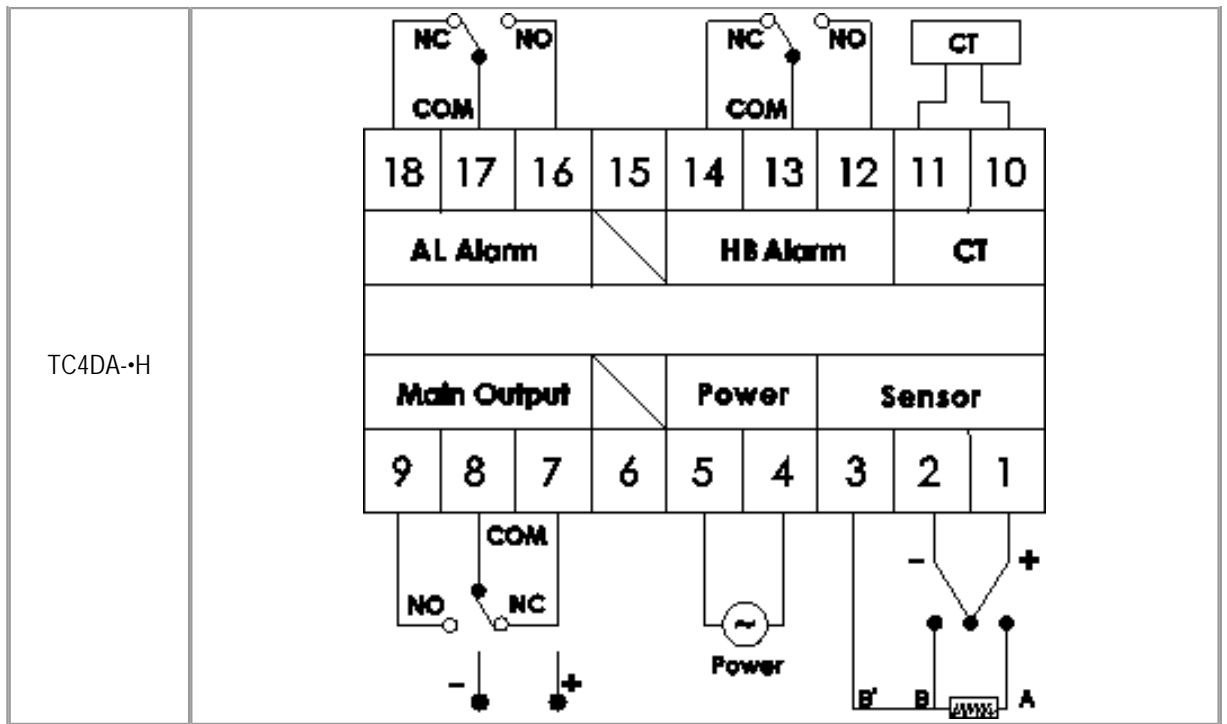
TOP

MODEL	TC4DA-H
APPEARANCE	96H x 96W x 97D
ALARM OUTPUT	AL + HB Alarm
RATED VOLTAGE	100 ~ 240VAC 50/60 Hz
DISPLAY METHOD	Analog Deviation Meter
INDICATING ACCURACY	± 1% of F.S.
DISPLAY RANGE	± 40
SETTING METHOD	Digital
SETTING ACCURACY	± 0.5% of F.S.
SETTING RANGE	-99 ~ +99 0 ~ +199 0 ~ +399 0 ~ +599 0 ~ +999 0 ~ +1199
SENSOR INPUT	K (CA) , J(IC) , PT-100Ω
CONTROL ACTION	Proportional, ON-OFF
CONTROL OUTPUT	Relay, Voltage

+ CONNECTION DIAGRAMS

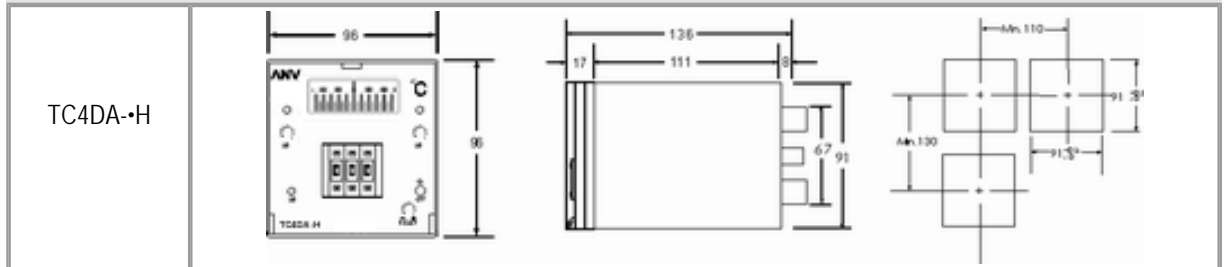
TOP

	CONNECTION DIAGRAMS



+ DIMENSION

TOP





TC4DD-•



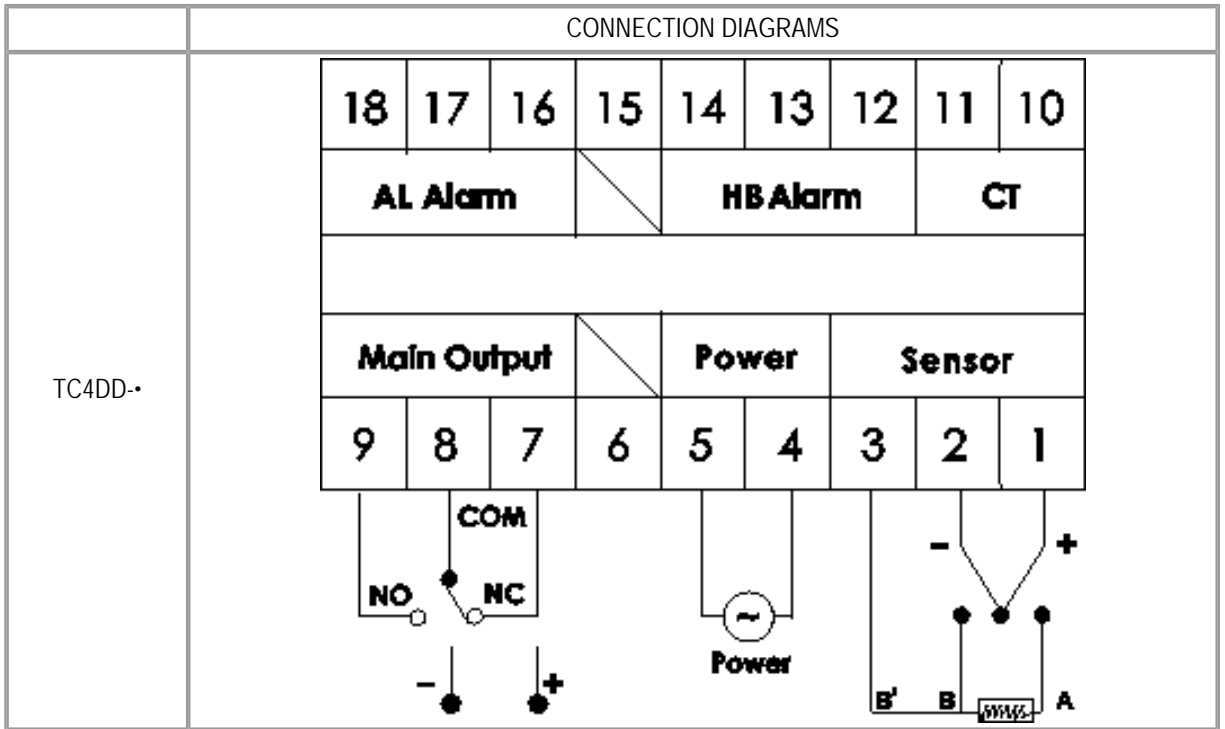
+ SPECIFICATIONS

TOP

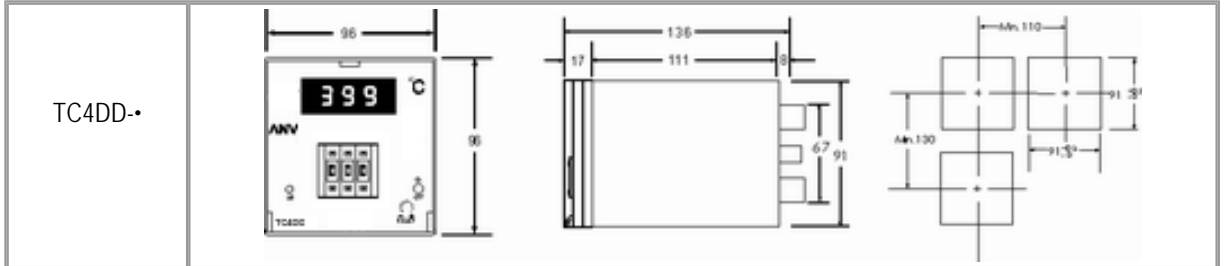
MODEL	TC4DD-•
APPEARANCE	96H x 96W x 97D
ALARM OUTPUT	--
RATED VOLTAGE	100 ~ 240VAC 50/60 Hz
DISPLAY METHOD	7 Segment LED Display
INDICATING ACCURACY	± 0.5% of F.S.
DISPLAY RANGE	-99 ~ +99 0 ~ +999 0 ~ +1999
SETTING METHOD	Digital
SETTING ACCURACY	± 0.5% of F.S.
SETTING RANGE	-99 ~ +99 0 ~ +199 0 ~ +399 0 ~ +599 0 ~ +999 0 ~ +1199
SENSOR INPUT	K (CA) , J(IC) , PT-100Ω
CONTROL ACTION	Proportional, ON-OFF
CONTROL OUTPUT	Relay, Voltage

+ CONNECTION DIAGRAMS

TOP



+ DIMENSION





TC4DD-•A



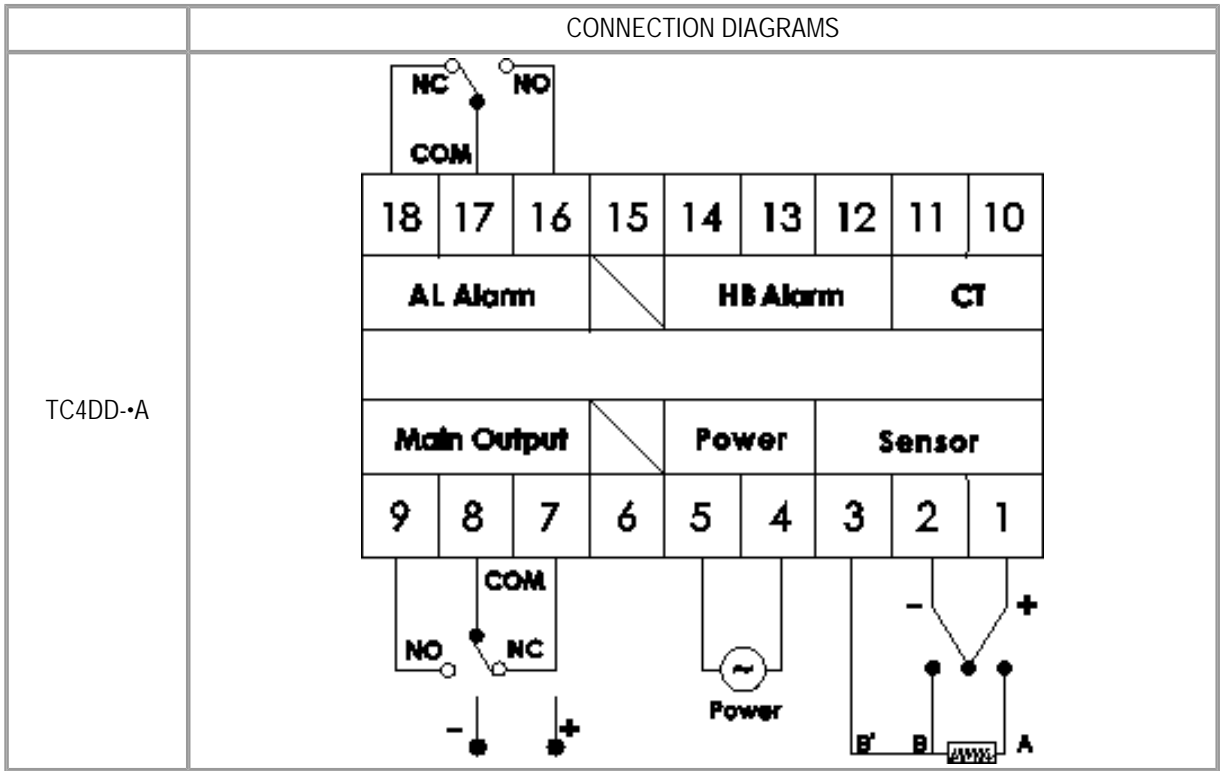
+ SPECIFICATIONS

TOP

MODEL	TC4DD-•A
APPEARANCE	96H x 96W x 97D
ALARM OUTPUT	AL Alarm
RATED VOLTAGE	100 ~ 240VAC 50/60 Hz
DISPLAY METHOD	7 Segment LED Display
INDICATING ACCURACY	± 0.5% of F.S.
DISPLAY RANGE	-99 ~ +99 0 ~ +999 0 ~ +1999
SETTING METHOD	Digital
SETTING ACCURACY	± 0.5% of F.S.
SETTING RANGE	-99 ~ +99 0 ~ +199 0 ~ +399 0 ~ +599 0 ~ +999 0 ~ +1199
SENSOR INPUT	K (CA) , J(IC) , PT-100Ω
CONTROL ACTION	Proportional, ON-OFF
CONTROL OUTPUT	Relay, Voltage

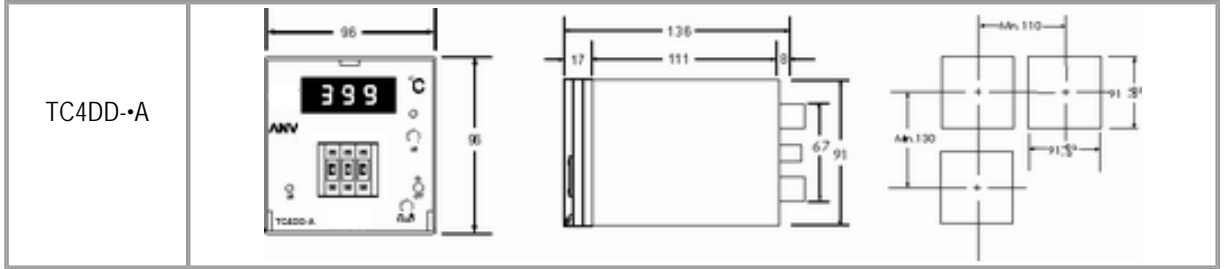
+ CONNECTION DIAGRAMS

TOP



+ DIMENSION

TOP ▲





TC4DD-H



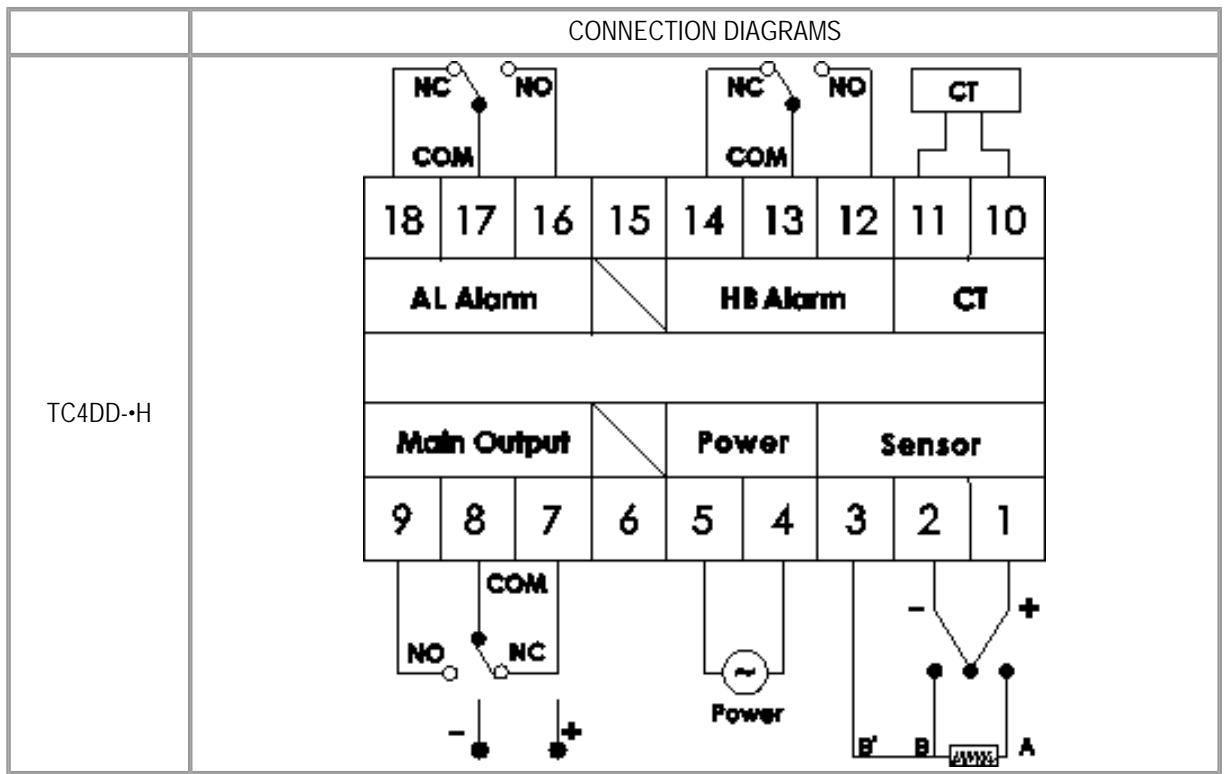
+ SPECIFICATIONS

TOP

MODEL	TC4DD-H
APPEARANCE	96H x 96W x 97D
ALARM OUTPUT	AL +HB Alarm
RATED VOLTAGE	100 ~ 240VAC 50/60 Hz
DISPLAY METHOD	7 Segment LED Display
INDICATING ACCURACY	± 0.5% of F.S.
DISPLAY RANGE	-99 ~ +99 0 ~ +999 0 ~ +1999
SETTING METHOD	Digital
SETTING ACCURACY	± 0.5% of F.S.
SETTING RANGE	-99 ~ +99 0 ~ +199 0 ~ +399 0 ~ +599 0 ~ +999 0 ~ +1199
SENSOR INPUT	K (CA) , J(IC) , PT-100Ω
CONTROL ACTION	Proportional, ON-OFF
CONTROL OUTPUT	Relay, Voltage

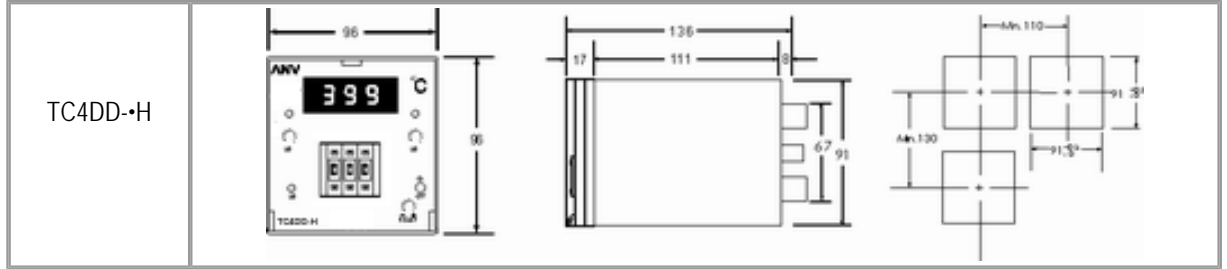
+ CONNECTION DIAGRAMS

TOP



+ DIMENSION

TOP ▲





TC40D-•



+ SPECIFICATIONS

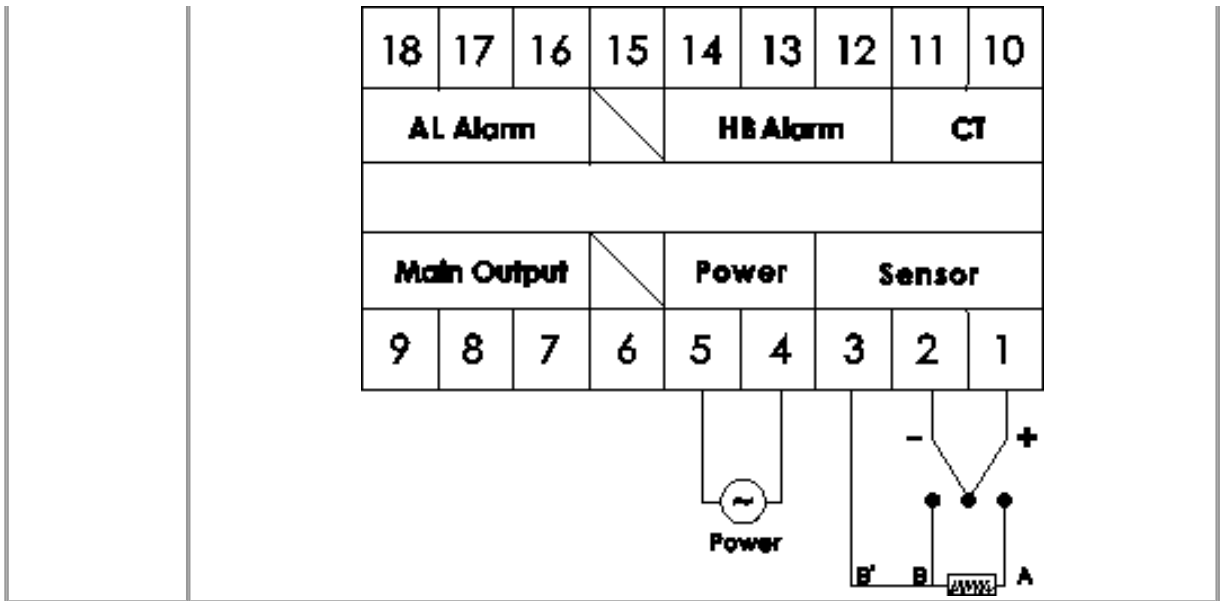
TOP

MODEL	TC40D-•
APPEARANCE	96H x 96W x 97D
ALARM OUTPUT	--
RATED VOLTAGE	100 ~ 240VAC 50/60 Hz
DISPLAY METHOD	7 Segment LED Display
INDICATING ACCURACY	± 0.5% of F.S.
DISPLAY RANGE	-99 ~ +99 0 ~ +999 0 ~ +1999
SETTING METHOD	--
SETTING ACCURACY	--
SETTING RANGE	--
SENSOR INPUT	K (CA) , J(IC) , PT-100Ω
CONTROL ACTION	--
CONTROL OUTPUT	--

+ CONNECTION DIAGRAMS

TOP

	CONNECTION DIAGRAMS
TC40D-•	



+ DIMENSION

TOP

